

# Model A177

Disk Type Load Cell



## FEATURES

- **Rated Capacities (lb):**  
2205, 4409, 6614, 11023, 22046, 33069, 44092, 66139, 110231
- **Rated Capacities (kg):**  
1000, 2000, 5000, 10000, 15000, 20000, 30000, 50000
- High accuracy
- Nickel plated alloy steel
- Hermetically Sealed, IP 67

## APPLICATIONS

- Suitable for hopper, hanging scales

## TECHNICAL DATA

<b>Rated Capacities (lb):</b>	<b>2205, 4409, 6614, 11023, 22046, 33069, 44092, 66139, 110231</b>
<b>Rated Capacities (kg):</b>	<b>1000, 2000, 3000, 5000, 10000, 15000, 20000, 30000, 50000</b>
<b>Output Sensitivity (= FS)</b>	<b>2.0 ± 0.01 mV/V</b>
<b>Accuracy Class</b>	<b>C1</b>
<b>Max. Number Of Load Cell Intervals</b>	<b>1000 nCL</b>
<b>Ratio Of Min. LC Verification Interval</b>	<b>3000 Y=Emax/Vmin</b>
<b>Combined Error</b>	<b>± 0.0500 %FS</b>
<b>Minimum Dead Load</b>	<b>0% Emax</b>
<b>Safe Overload</b>	<b>150 % Emax</b>
<b>Ultimate Overload</b>	<b>300 % Emax</b>
<b>Zero Balance</b>	<b>&lt; ± 1.0 % FS</b>
<b>Excitation, Recommended Voltage</b>	<b>5 ~ 12V</b>
<b>Excitation Maximum</b>	<b>18V</b>
<b>Input Resistance</b>	<b>770 ± 30 Ω</b>
<b>Output Resistance</b>	<b>700 ± 7 Ω</b>
<b>Insulation Resistance</b>	<b>≥5000 MΩ ( at 50VDC )</b>
<b>Compensated Temperature</b>	<b>-10 ~ +40°C</b>
<b>Operating Temperature</b>	<b>-35 ~ +65°C</b>
<b>Storage Temperature</b>	<b>-40 ~ +70°C</b>
<b>Element Material</b>	<b>Nickel plated alloy steel</b>
<b>Ingress Protection (acc. to EN 60529)</b>	<b>IP67</b>

The technical data given here serve only as a product description and must not be interpreted as guaranteed characteristics in the Legal sense.

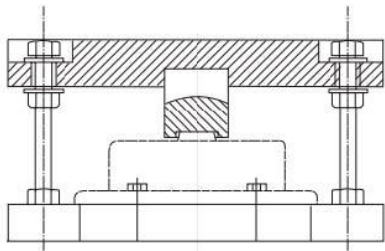
# Model A177

Disk Type Load Cell

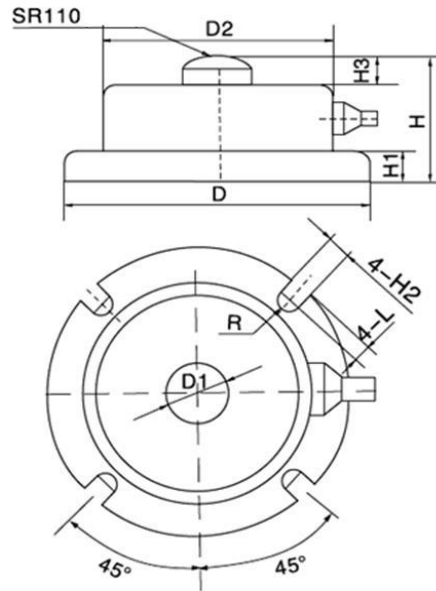


## Available Accessories

- Alloy Steel
- Built-in horizontal movement control
- Lift-off protection



## Dimensions in mm



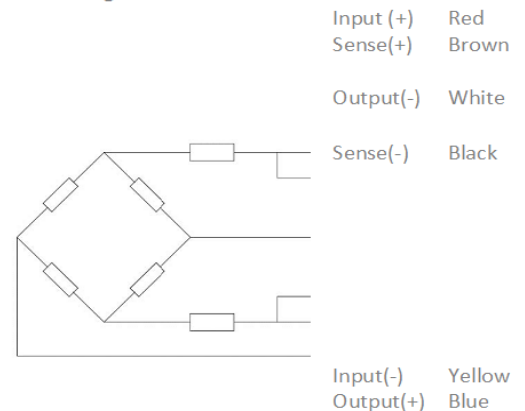
Capacity	D	D1	D2	H	H1	H2	H3	L
1t	115	22	86	43	12	8.4	5	8
2t	120	26	90	45	12	8.4	5	8
3t	128	20	100	46	8	10.4	5	7
5t	128	20	100	46	8	10.4	5	7
10t	160	40	120	63	15	10.4	5	7
15t	194	42	154	68	20	12.4	10	10
20t	220	44	170	73	22	12.4	10	12
30t	230	48	188	78	25	12.4	10	12
50t	264	52	214	90	30	12.4	10	12

## Wiring Features:

Function	Colors
+ Excitation (input +)	Red
- Excitation (input -)	Yellow
+ Signal (output +)	Blue
- Signal (output -)	White
+ Sense	Brown
- Sense	Black

Shielded, 6 conductor cable  
 Cable diameter:  $\varnothing 5\text{mm}$   
 Standard cable length for 1t – 3t: 3m,  
 for 5t – 10t: 4m and for 15t – 50t: 5m  
 Shield not connected to element

## 6-wire diagram



Correct Mounting of Load Cells Is Essential To Ensure Optimum Performance.

3193 N, Drinkwater Blvd, P.O.Box 32662, Scottsdale, AZ 85251, U.S.A

Phone: # 480-240-1299  
 Fax: # 480-240-1300  
 Email: Info@themaxtechnologies.com

Max Technologies reserves the right make changes to the technology, features, specification and design of the equipment without notice.