

Model A 228

Single Point Stainless Steel Load Cell



FEATURES

- **Rated Capacities (kg):**
- 50kg to 300kg
- Stainless Steel Construction
- Hermetically Sealed IP68
- Recommended Platform Dimension 600x600mm
- Single Point Structure With Parallel Beam
- Oil-Proof, Waterproof

APPLICATIONS

- Suitable For Electronic Scales, Platform Scales, Belt Scales, Packaging Scales and Other Electronic Weighing Devices.

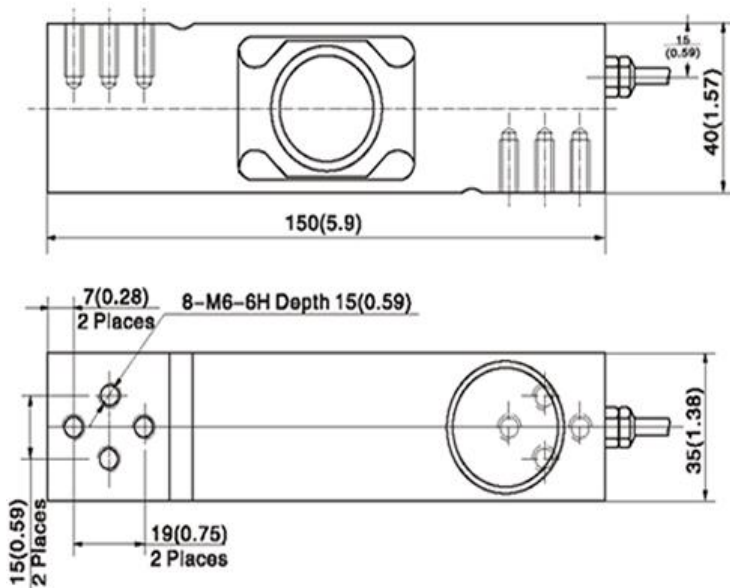
TECHNICAL DATA

Rated Capacities (kg):	50/200/300 kg
Accuracy Class	C3
Maximum Verification Intervals (n _{max})	3000
Minimum load cell verification interval (V _{min})	E _{max} /10000
Combined Error	≤±0.020
Creep (30minutes)	≤±0.016
Temperature Effect on Sensitivity	≤±0.011
Temperature Effect on Zero	≤±0.015
Output sensitivity	2.0±0.2/2.0±0.002
Input Resistance	350±3.5
Output Resistance	351±2.0
Insulation Resistance	≥ 5000(50VDC)
Zero Balance	1.50 % FS
Compensated Temperature Range	-10°C ~+ 40 °C
Operating Temperature Range	-35°C ~+ 70 °C
Recommended Excitation	05 ~ 12 V (DC)
Maximum Excitation	18 V (DC)
Safe Overload	150 % FS
Ultimate Overload	300 % FS
Corner Correction	0.02 % Load Value/ 100mm

The technical data given here serve only as a product description and must not be interpreted as guaranteed characteristics in the legal sense.

Model A 228

OUTLINE DIMENSIONS:



WIRING

Function	Colors
+ Excitation	Red
- Excitation	Black
+ Signal	Green
- Signal	White

Correct Mounting of Load Cells Is Essential To Ensure Optimum Performance.

3193 N, Drinkwater Blvd, P.O.Box 32662, Scottsdale, AZ 85251, U.S.A

Phone: # 480-240-1299

Fax: # 480-240-1300

Email: Info@themaxtechnologies.com

Max Technologies reserves the right make changes to the technology, features, specification and design of the equipment without notice.