

Model D 436

Single Ended Beam Load Cell



FEATURES

- **Rated Capacities (lb):**
4500, 10000
- **Rated Capacities (kg):**
2000, 5000
- Stainless Steel
- Welded Seal Construction IP68
- Single Ended Beam Type

APPLICATIONS

- Suitable for Industrial Platform Scales, Tank Bin and Hopper Weighing.

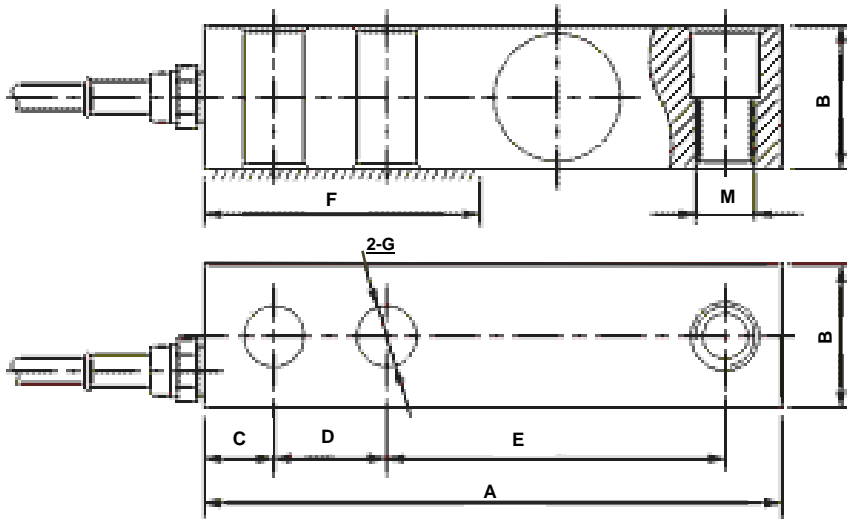
TECHNICAL DATA

Rated Capacities (lb):	4500, 10000
Rated Capacities (kg):	2000, 5000
Rated Output	3.00 mV/V
Combined Error	± 0.02 % FS
Non-linearity	± 0.02 % FS
Hysteresis	± 0.02 % FS
Non-Repeatability	± 0.02 % FS
Creep (30minutes)	± 0.02 % FS
Zero Balance	± 1.00 % FS
Temperature effect on zero	± 0.02 % FS/10°C
Temperature effect on output	± 0.02 % FS/10°C
Input Resistance Ω	385 Ω ± 10 Ω
Output Resistance Ω	350 Ω ± 3 Ω
Insulation Resistance Ω	≥5000M Ω
Excitation Voltage	10V(DC/AC)
Compensated Temperature Range	-10°C ~+ 40 °C
Operating Temperature Range	-20~+ 60 °C
Safe Overload	120% FS

The technical data given here serve only as a product description and must not be interpreted as guaranteed characteristics in the legal sense.

Model D 436

OUTLINE DIMENSIONS:



DIMENSIONS

Capacity	A	B	C	D	E	F	G	Thread
lb/inches								
1000-4500	5.13	1.26	0.61	1.00	3.00	2.25	0.53	M0.47X0.06
5500-10,000	6.77	1.50	0.75	1.50	3.76	3.00	0.78	M0.71X0.05
kg/mm								
500-2000	130.0	32.0	15.7	25.4	76.2	57.0	13.5	M12X1.75
2500-5000	171.5	38.0	19.1	38.1	95.3	76.0	20.0	M18X1.5
7500-10,000	222.5	50.8	25.4	50.8	123.8	102.0	27.0	M24X2

WIRING

Function	Colors
+ Excitation	Red
- Excitation	Black
+ Signal	Green
- Signal	White
Shield	Braid

Correct Mounting of Load Cells Is Essential To Ensure Optimum Performance.

3193 N, Drinkwater Blvd, P.O.Box 32662, Scottsdale, AZ 85251, U.S.A

Phone: # 480-240-1299

Fax: # 480-240-1300

Email: Info@themaxtechnologies.com

Max Technologies reserves the right to make changes to the technology, features, specification and design of the equipment without notice.