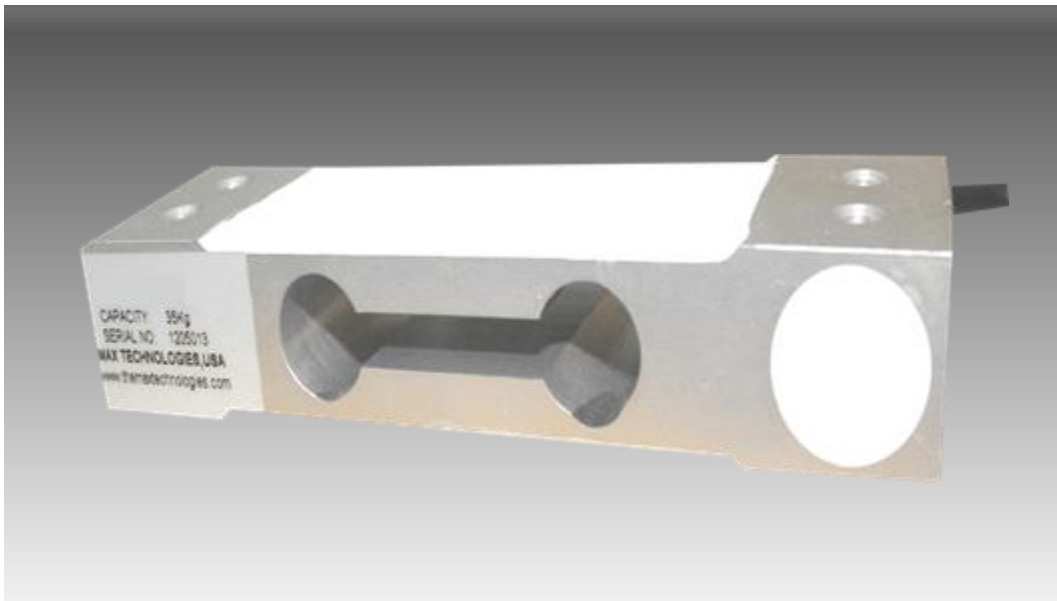


Model D 234

Single Point Stainless Steel Load Cell



FEATURES

- **Rated Capacities (lb):**
15-75lb
- **Rated Capacities (kg):**
6-35kg
- Stainless Steel
- IP 67
- Single Point Load Cell

APPLICATIONS

- Suitable for Table Top, Platform, Small Capacity Electronic Scales and Packing Machines

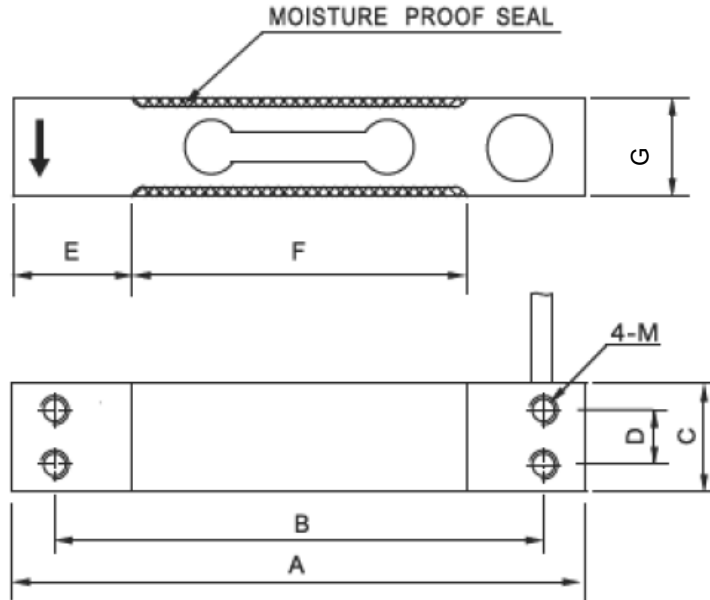
TECHNICAL DATA

Rated Capacities (lb):	15-75
Rated Capacities (kg):	6-35
Rated Output	2 ± 0.1 mv/v
Combined Error	≤ ± 0.023 % FS
Non-linearity	± 0.02 % FS
Hysteresis	± 0.02 % FS
Non-Repeatability	± 0.01 % FS
Creep (30minutes)	± 0.02 % FS
Zero Balance	± 1 % FS
Temperature effect on zero	± 0.02 % FS/ 10°C
Temperature effect on output	± 0.02 % FS/ 10°C
Input Resistance Ω	410 ± 15Ω
Output Resistance Ω	350 ± 3
Insulation Resistance	≥5000MΩ
Excitation Voltage	10V (DC / AC)
Compensated Temperature Range	-10~+ 50 °C
Operating Temperature Range	-20~+ 60 °C
Safe Overload	120% FS
Cable Length	9.84ft / 3M

The technical data given here serve only as a product description and must not be interpreted as guaranteed characteristics in the legal sense.

Model D 234

OUTLINE DIMENSIONS:



DIMENSIONS:

Capacity	A	B	C	D	E	F	G	M
lb/inches								
15-45	5.13	4.18	1.18	0.59	0.98	3.00	0.86	M4
55-75	5.13	4.18	1.57	0.59	1.06	3.00	0.86	M4
Kg/mm								
06-20	130.0	106.0	30.0	15.0	25.0	76.0	22.0	M4
25-35	130.0	106.0	40.0	15.0	27.0	76.0	22.0	M4

WIRING

Function	Colors
+ Excitation	Red
- Excitation	Black
+ Signal	Green
- Signal	White

Correct Mounting of Load Cells Is Essential To Ensure Optimum Performance.

3193 N, Drinkwater Blvd, P.O. Box 32662, Scottsdale, AZ 85251, U.S.A

Phone: # 480-240-1299

Fax: # 480-240-1300

Email: Info@themaxtechnologies.com

Max Technologies reserves the right make changes to the technology, features, specification and design of the equipment without notice.