

MT2186

Disk Type Load Cell



FEATURES

- **Rated Capacities (lb):**
1000, 2000, 4000, 6000, 10000, 20000, 40000, 60000, 80000, 100000, 120000
- **Rated Capacities (ton):**
0.5t, 1t, 2t, 3t, 5t, 10t, 20t, 30t, 40t, 50t
- Alloy Steel
- IP67

APPLICATIONS

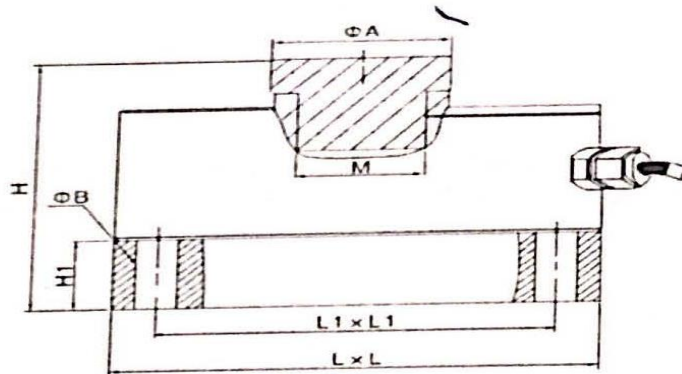
- Suitable for Industrial Platform Scales, Tank Bin and Hopper Weighing.

TECHNICAL DATA

Rated Capacities (lb):	1000, 2000, 4000, 6000, 10000, 20000, 40000, 60000, 80000, 100000, 120000
Rated Capacities (kg):	0.5t, 1t, 2t, 3t, 5t, 10t, 20t, 30t, 40t, 50t
Sensitivity	2.0000 ±0.002mV/V
Combined Error	± 0.02 % FS
Creep (30minutes)	± 0.02 % FS
Recommended Excitation Voltage	5V ~ 18V(AC or DC)
Maximum Excitation Voltage	24V(AC or DC)
Zero Balance	± 1.00 % FS
Input Impedance	775±10 Ω
Output Impedance	700±5Ω
Insulation Impedance	≥5000MΩ
Safe Overload	150% FS
Ultimate Overload	200% FS
Operating Temperature	(-30 - +70°C)
Compensated Temperature Range	(-20 - +60°C)
Temperature effect on Load	± 0.02 % FS/10°C
Temperature effect on Zero	± 0.02 % FS/10°C
Construction	Alloy Steel
Protection Class	IP67

The technical data given here serve only as a product description and must not be interpreted as guaranteed characteristics in the Legal sense.

OUTLINE DIMENSIONS:

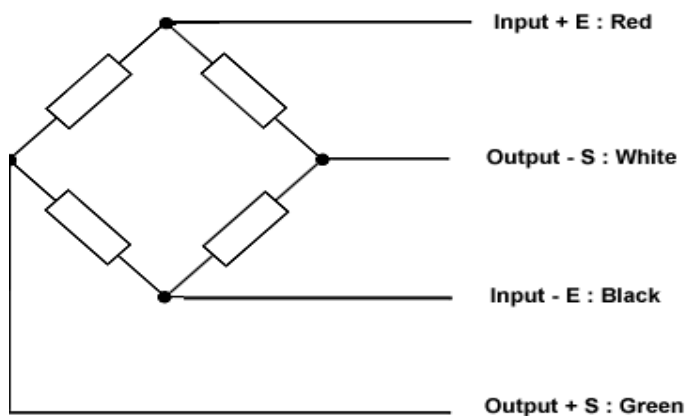


DIMENSIONS IN mm

Capacity (t)	H	H1	ΦA	ΦB	L	L1	M
0.5 - 3	62.8	18	Φ32	Φ11	130	103.8	M16 x 1.5
5 - 10	84.6	23	Φ42	Φ11	120.7	98.8	M32 x 1.5
15 - 30	90.2	23	Φ51	Φ11	142	116	M40 x 1.5
40 - 60	102	23	Φ67.5	Φ13	180	147.1	M32 x 1.5

WIRING

Function	Colors
+ Excitation	Red
- Excitation	Black
+ Signal	Green
- Signal	White



Correct Mounting of Load Cells Is Essential To Ensure Optimum Performance.

3193 N, Drinkwater Blvd, P.O.Box 32662, Scottsdale, AZ 85251, U.S.A

Phone: # 480-240-1299

Fax: # 480-240-1300

Email: Info@themaxtechnologies.com

Max Technologies reserves the right make changes to the technology, features, specification and design of the equipment without notice.